

h/p/cosmos airwalk

pneumatic partial body weight support
with dynamic central point unweighting



[Illustration non-binding - running machine not included.]

The h/p/cosmos airwalk is available for the running machine series h/p/cosmos mercury 4.0 and h/p/cosmos quasar 4.0, as well as a retro-fitting for several treadmills of other manufacturers.

The h/p/cosmos airwalk allows

- an earlier start of therapy
- a wider range of exercises (forward, retro, lateral)
- all exercises in an upright functional position

The h/p/cosmos airwalk offers support ...

- for rehabilitation
- for physiotherapy
- for orthopaedic indications
- for gait analysis
- for adipose patients
- for a gentle locomotion therapy
- for the safety in general
- for all kind of coordination training
- in athletic training, e.g. „over-speed training“



h/p/cosmos airwalk vests

4 different vests provide adaptation to nearly all body sizes and forms. High compatibility of the vest at best attainable freedom of body motion due the individually adjustable system of suspension straps. Absence of undercutting straps during gait. Auxiliary straps for gait correction are included in shipment.



Size XS ... for children	Size S / red Taille: 55 ... 80 cm 22 ... 32 inches	Size M / blue Taille: 81 ... 112 cm 32 ... 44 inches	Size L / yellow Taille 113 ... 145 cm 44 ... 57 inches
[cos10112]	[cos10095]	[cos10096]	[cos10097]

Model	Support (dynamic)	Subject weight	Order no.
h/p/cosmos airwalk 35	up to 35 kg / 75 lbs	max. 140 kg / 260 lbs	cos10091
h/p/cosmos airwalk 70	up to 70 kg / 150 lbs	max. 140 kg / 260 lbs	cos10092
h/p/cosmos airwalk 160	up to 160 kg / 300 lbs	max. 180 kg / 335 lbs	cos10093

For the model 35 a handpump is standard.

The h/p/cosmos airwalk 70 and 160 require a connection for compressed air or the h/p/cosmos airwalk compressor (220 ... 240 V / 10 A) [cos10094].

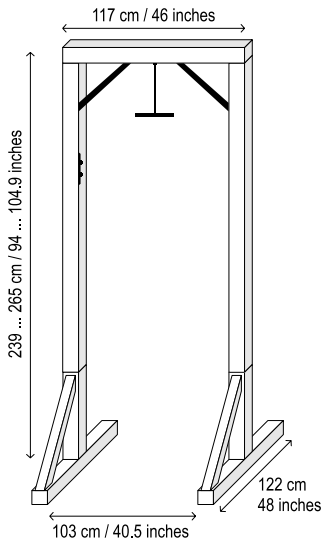
The support also can be adjusted by the subject.



Change cable assemblies every 6 months. In case of any sign of wear change cable assemblies even earlier than within 6 months [cos13752].

Application manual with token fee on request [cos14323]. Additional accessories for special applications on request.

Dimensions



Shipping size and weight in cardboard boxes

h/p/cosmos airwalk 35 (2 boxes, total 47 kg)
 box 1: 127 x 60 x 22 cm / weight: 28,5 kg
 box 2: 233 x 15 x 7 cm / weight: 18,5 kg

h/p/cosmos airwalk 70 (2 boxes, total 48 kg)
 box 1: 127 x 60 x 22 cm / weight: 28.5 kg
 box 2: 233 x 15 x 7 cm / weight: 19.5 kg

h/p/cosmos airwalk 160 (3 boxes, total 64,5 kg)
 box 1: 127 x 60 x 22 cm / weight: 22,4 kg
 box 2: 194 x 41 x 10 cm / weight: 30,2 kg
 box 3: 240 x 28 x 10 cm / weight: 11,9 kg

Compressor ... for airwalk 70 and 160 additional 22 kg
 box: 50 x 50 x 50 cm / weight: 22 kg



Authorised h/p/cosmos dealer